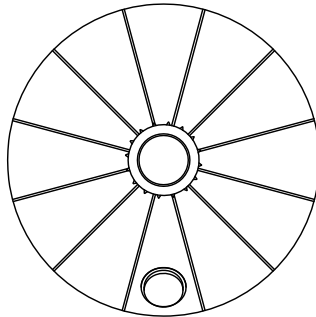
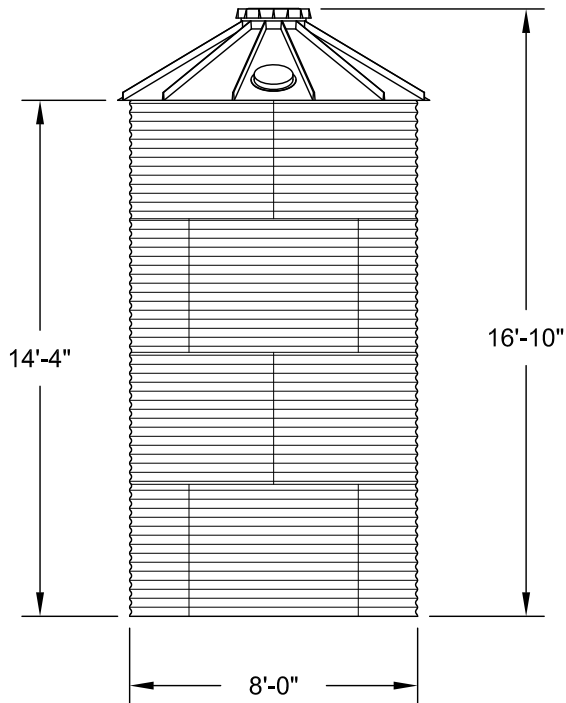


Corrugations on roof panels are not shown for clarity.



PLAN



ELEVATION



**WATER STORAGE TANKS, INC.**  
**1-800-463-1898**  
**www.corgaltanks.com**

	BY	DATE
DWN	IU	2/14/13
CKD	JH	2/14/13
ENG	JH	2/14/13

TITLE	MODEL 0804-WT-CHR CORGAL STEEL WATER STORAGE TANK NOMINAL CAPACITY - 5,300 GALLONS (U.S.)	
DWG. NO.	0804-WT-CHR	REV. NO. C

THE DRAWING DEPICTED ON THIS PRINT AND THE INFORMATION CONTAINED HEREIN ARE PROPRIETARY TO Water Storage Tanks, Inc. AND SHALL NOT BE USED IN WHOLE OR PART WITHOUT THE WRITTEN CONSENT OF Water Storage Tanks, Inc.

SIZE A	SCALE 3/16"=1'-0"	SHEET 1	OF 1
-----------	----------------------	------------	---------